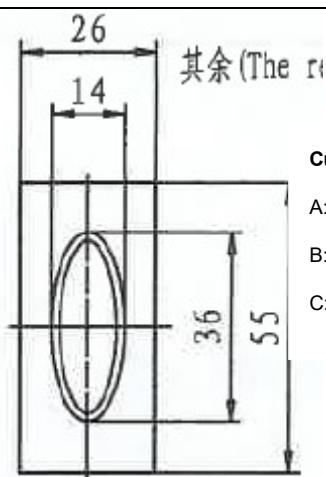


Small Elliptic Fin Tube specification

Dimension							
TYPE	TUBE			FIN			
↓	Material	SIZE (mm)	Thickness (mm)	Material	SIZE (mm)	Turbulence Pin hole (no.)	Fin pitch
FE31	C.S welded C.S Seamless SUS welded SUS seamless	36*14	1.2 ~ 3.0	SPCC	55*26*0.3	4	3.0mm
FE33	↓	36*14	1.2 ~ 3.0	SPCC	55*26*0.3	10	3.0mm
FE213		36*14	1.2 ~ 3.0	SPCC	55*26*0.3	10	2.1mm
FE70		36*14	1.2 ~ 3.0	SPCC	55*26*0.3	none	3.5mm
FE280		36*14	1.2 ~ 3.0	SPCC	55*26*0.3	none	2.8mm
FE41		36*14	1.2 ~ 3.0	SPCC	55*26*0.3	none	4.0mm



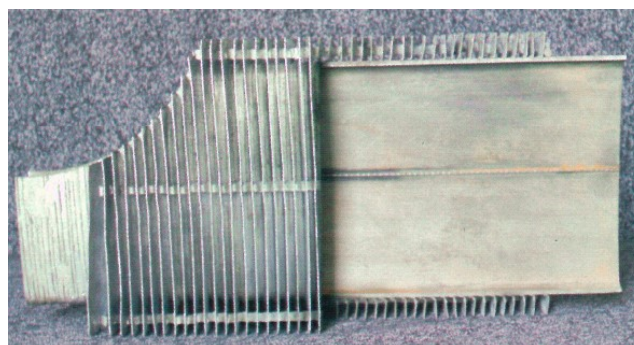
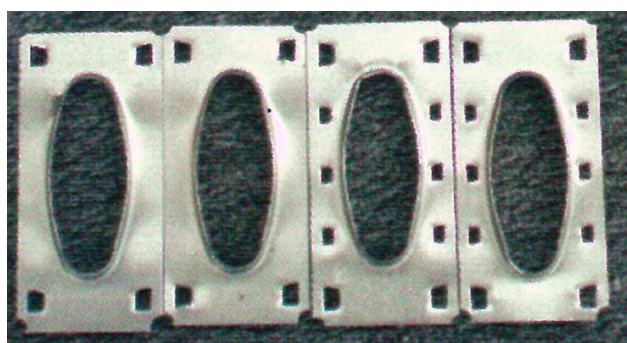
H.D.G coating

Customer specified the following dimension:

A: Total tube length _____ mm.

B: Bare End _____ mm.

C: another bare end _____ mm.



Contact email: 13910481602@163.com